

COMPACTOR WASHER



Description

A Compactor Washer is similarly engineered to a Screw Compactor with the primary differentiation being that the Screw Washpacktor is equipped with a separate waste screening wash zone. The Washpacktor is designed to separate valuable organics from screenings waste. The organics can be returned to the wastewater process to increase the organic loading present in the flow, and can further be used later on in the plant biological process. The wash chamber is mounted above the compaction screw which is fitted with a mechanical mixer and thus liquidizes the organics in the screening waste. The washed screening waste is then conveyed and compacted by means of a screw, which de-waters the screenings waste to a liquid content of approximately 50% by mass. The compactor screw starts to compact the clean screenings to be discharged into a bin container or plastic bag. On completion of the compaction cycle, the system starts from the beginning again.

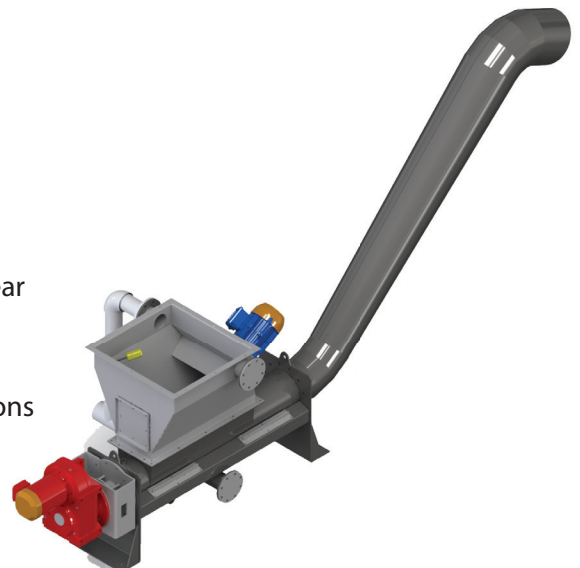
Application

- Wastewater treatment plants
- Water treatment plants
- Irrigation systems
- Sludge plants
- Pump stations
- Mining industry
- Abattoirs
- Food & Beverage



Features & Benefits

- Pre-wash chamber
- Low operational cost
- Ease of maintenance
- Integrated spray wash system
- Brush scraper addition available
- Removable drain pan
- Hard screw face facilitating minimal wear
- Screw removable from back or front
- High compaction ratio
- Customizable chute to suit site conditions
- Reduced carbon footprint



+1 360 . 314 . 2692
+1 360 . 521 . 7524



jlewis@centexfp.com
www.centexfp.com



7600 NE 47th Avenue
Vancouver, WA 98661 - USA



Performance & Specification

Compactor Washer- Estimated Flow Rates

- We manufacture to suit non-standard openings
- Theoretical capacities
- Table data subject to change to suit civil and flow conditions
- All dimensions in mm

MODEL	BODY LENGTH (A)	BODY HEIGHT (B)	BODY WIDTH (C)	DRAINED DISCHARGE PIPE Ø (mm)	WASHING WATER PRESSURE & FLOW RATE		SCREW COMPACTOR TOR Ø (mm)	COMPACTOR CAPACITY (m ³ h)
					BAR	L/S		
CW250	1400	1302	460	100NB	3	5	245	2
CW350	1600	1350	540	100NB	4	5	325	3.5

